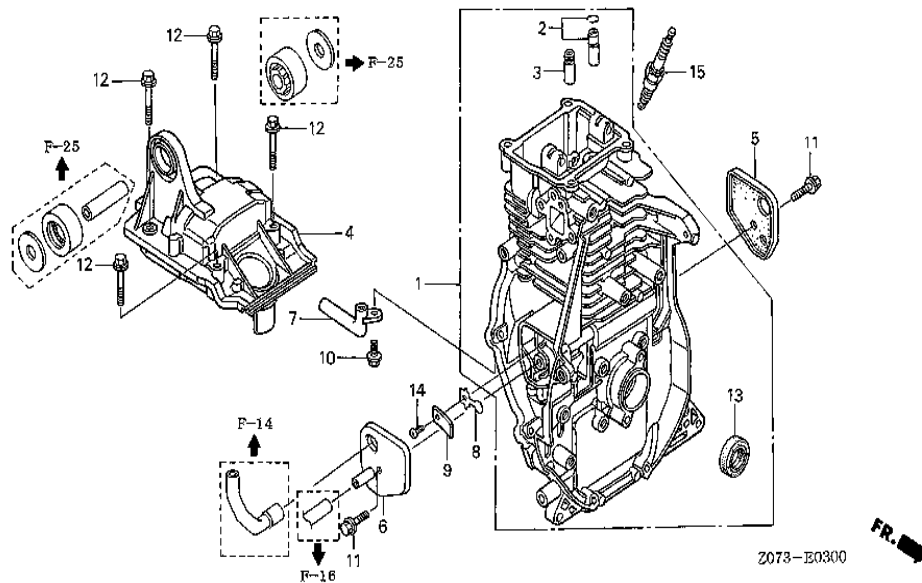


EU20I(F)	E-3 CYLINDER BARREL
----------	---------------------

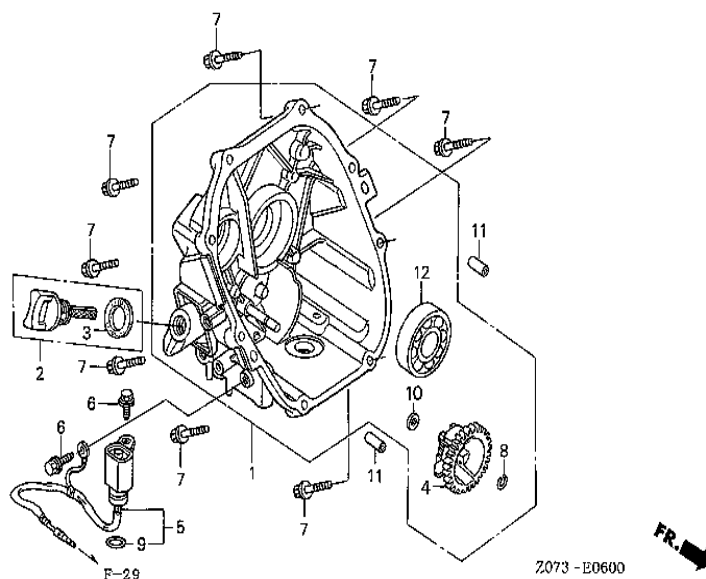


FRT	Description
3.0	BARREL ASSY., CYLINDER
0.8	COVER, HEAD
1.3	COVER COMP. A, BREATHER
1.3	COVER COMP. B, BREATHER
1.5	PIPE, BREATHER
1.3	VALVE, OIL OUTLET
2.4	OIL SEAL, 20X32X6
0.1	PLUG, SPARK

Ref	Partnumber	Description	EU20I	Serial Numbers
001	12000-Z0D-405	BARREL ASSY., CYLINDER	1	
002	12201-Z0D-305	GUIDE ASSY., EX. VALVE (O.S.)	1	
003	12204-Z0D-305	GUIDE, IN. VALVE (O.S.)	1	
004	12311-Z0D-D00	COVER, HEAD	1	
005	12355-Z0D-000	COVER COMP. A, BREATHER	1	
006	12365-Z0D-D00	COVER COMP. B, BREATHER	1	
007	15171-Z0D-V00	PIPE, BREATHER	1	
008	15571-ZM7-003	VALVE, OIL OUTLET	1	
009	15572-ZM7-000	PLATE, STOPPER	1	
010	90008-ZM7-000	BOLT, 4X10	1	
011	90014-952-000	BOLT, FLANGE, 6X14 (CT200)	2	
012	90015-883-000	BOLT, FLANGE, 6X28	4	
013	91202-KJ9-003	OIL SEAL, 20X32X6	1	

<u>Ref</u>	<u>Partnumber</u>	<u>Description</u>	<u>EU20I</u>	<u>Serial Numbers</u>
014	93500-030050A	SCREW, PAN, 3X5	1	
015	98056-54777	PLUG, SPARK (CR4HSB)	(1)	
015	98056-55777	PLUG, SPARK (CR5HSB)	1	

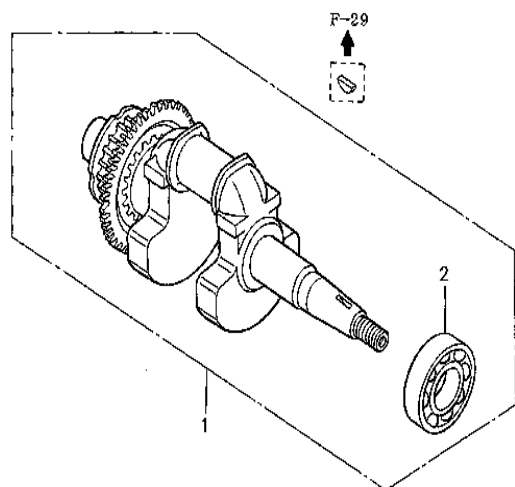
EU20I(F)	E-6 CRANKCASE COVER
----------	---------------------



FRT	Description
1.5	COVER ASSY., CRANKCASE
1.6	HOLDER, GOVERNOR WEIGHT
1.3	SWITCH ASSY., OIL LEVEL
1.3	O-RING, 11.8X2.4
1.7	BEARING, RADIAL BALL, 6204

Ref	Partnumber	Description	EU20I	Serial Numbers
001	11300-Z0D-408	COVER ASSY., CRANKCASE	1	
002	15600-ZM7-003	CAP ASSY., OIL FILLER	1	
003	15625-ZE1-003	PACKING, OIL FILLER CAP	1	
004	16512-ZL8-000	HOLDER, GOVERNOR WEIGHT	1	
005	35480-Z0D-D01	SWITCH ASSY., OIL LEVEL	1	
006	90014-952-000	BOLT, FLANGE, 6X14 (CT200)	2	
007	90121-952-000	BOLT, FLANGE, 6X25 (CT200)	8	
008	90602-ZE1-000	CLIP, GOVERNOR HOLDER	1	
009	91302-ZE9-003	O-RING, 11.8X2.4	1	
010	94101-06800	WASHER, PLAIN, 6MM	1	
011	94301-08200	DOWEL PIN, 8X20	2	
012	96100-6204000	BEARING, RADIAL BALL, 6204	1	

EU20I(F)	E-7 CRANKSHAFT
----------	----------------

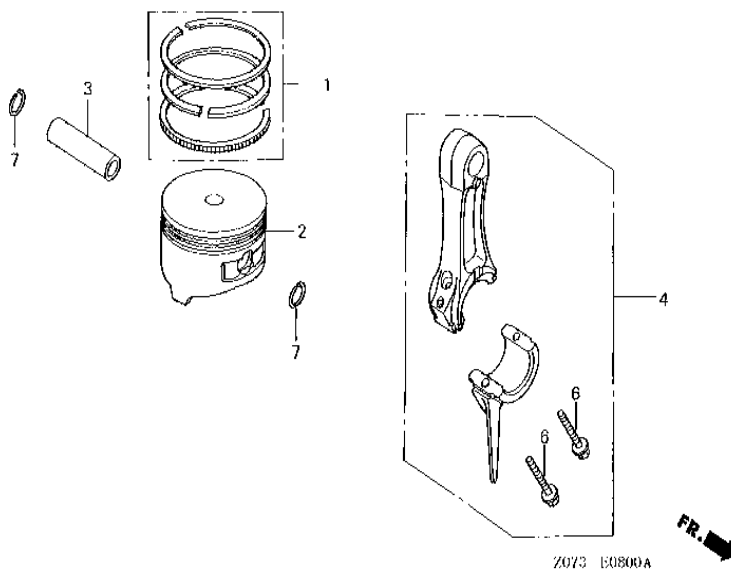


FRT	Description
2.4	CRANKSHAFT COMP.
2.6	BEARING, RADIAL BALL, 6204

Z073-E0700 **FR.** →

Ref	Partnumber	Description	EU20I	Serial Numbers
001	13310-Z0D-D00	CRANKSHAFT COMP.	1	
002	96100-6204000	BEARING, RADIAL BALL, 6204	1	

EU20I(F)	E-8 PISTON/CONNECTING ROD
----------	---------------------------

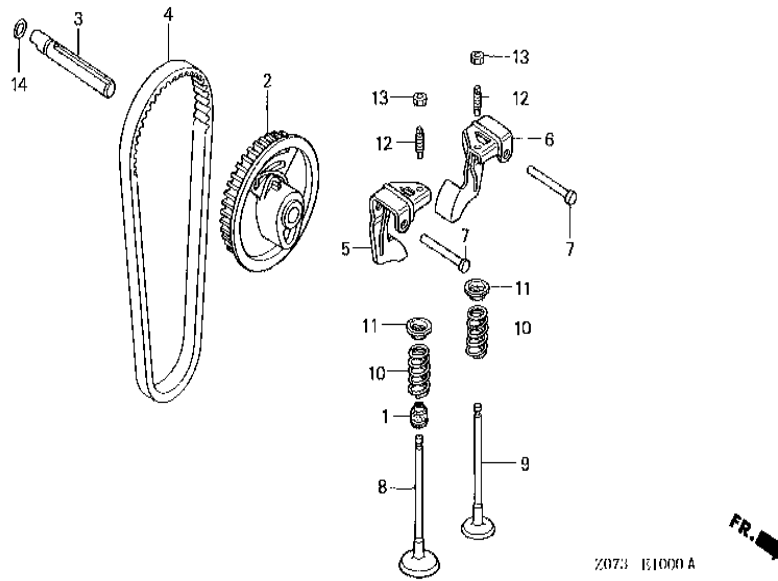


FRT	Description
2.7	RING SET, PISTON
2.7	PISTON
2.6	PIN, PISTON
2.6	ROD ASSY., CONNECTING
2.6	ROD COMP., CONNECTING

Ref	Partnumber	Description	EU20I	Serial Numbers
001	13010-Z0D-003	RING SET, PISTON	1	
002	13101-Z0D-000	PISTON	1	
003	13111-ZE0-000	PIN, PISTON	1	
004	13200-Z0D-000	ROD ASSY., CONNECTING	1	
004	13200-Z0D-305	ROD ASSY., CONNECTING(UNDER SIZE)	(1)	
006	90001-ZM7-000	BOLT, CONNECTING ROD	2	
007	90551-ZE0-000	CLIP, PISTON PIN, 13MM	2	

EU20I(F)

E-10 CAMSHAFT PULLEY



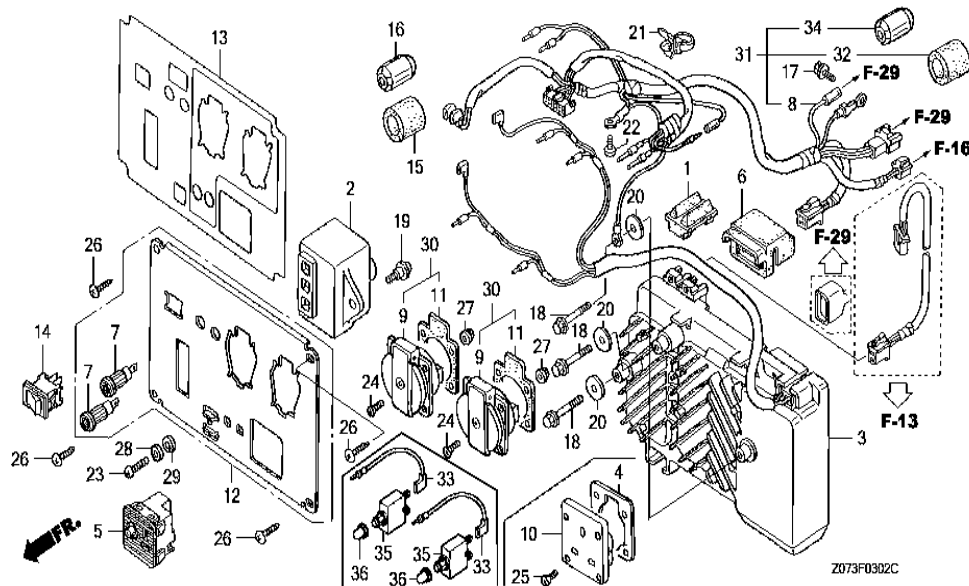
FRT	Description
1.1	PULLEY COMP., CAMSHAFT
1.0	SHAFT, CAM PULLEY
2.4	BELT, TIMING
1.2	ARM, IN. VALVE ROCKER(SAME TIME FOR TWO UNITS)
2.8	VALVE, IN.(ADD 0.1 FOR EACH.)
1.0	O-RING, 6.8X1.9

Ref	Partnumber	Description	EU20I	Serial Numbers
001	12209-KT7-013	SEAL, VALVE STEM	1	
002	14320-Z0D-000	PULLEY COMP., CAMSHAFT	1	
003	14324-Z0D-000	SHAFT, CAM PULLEY	1	
004	14400-Z0D-003	BELT, TIMING (61YU7 G-200)	1	
005	14431-Z0D-000	ARM, IN. VALVE ROCKER	1	
006	14441-Z0D-000	ARM, EX. VALVE ROCKER	1	
007	14461-ZL8-000	SHAFT, ROCKER ARM	2	
008	14711-Z0D-000	VALVE, IN.	1	
009	14721-Z0D-000	VALVE, EX.	1	
010	14751-Z0D-000	SPRING, VALVE	2	
011	14771-ZM3-010	RETAINER, VALVE SPRING	2	
012	90012-333-000	SCREW, TAPPET ADJUSTING	2	
013	90206-001-000	NUT, TAPPET ADJUSTING	2	

<u>Ref</u>	<u>Partnumber</u>	<u>Description</u>	<u>EU20I</u>	<u>Serial Numbers</u>
014	91301-ZM0-V31	O-RING, 6.8X1.9 (ARAI)	1	

EU20I(F)

F-3-2 CONTROL PANEL (EU20I-B,F,G,W)

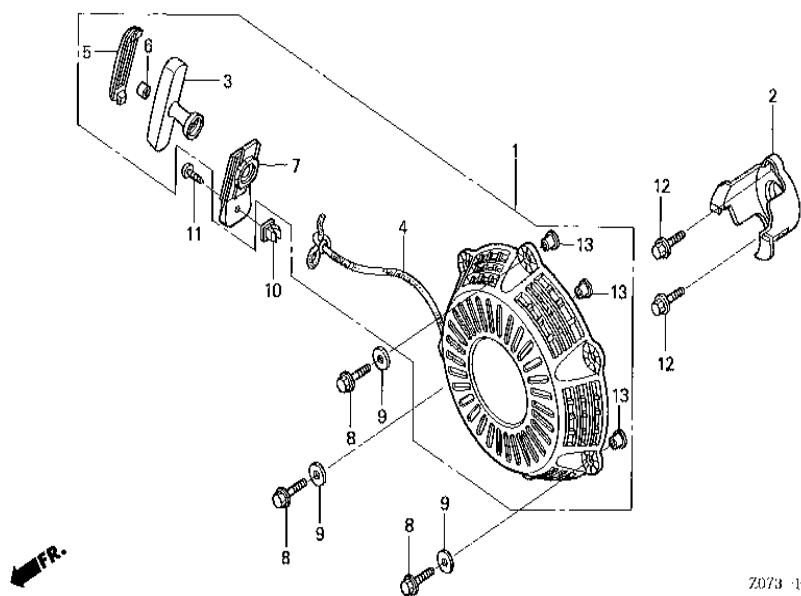


FRT	Description
0.3	RUBBER B, TANK MOUNTING
0.3	SPARK UNIT
0.8	INVERTER UNIT
0.3	PLATE, CONSENT SETTING
0.3	CONSENT COMP., D.C.
0.3	COVER, COUPLER
0.2	SOCKET, COMPOSITE
0.7	HARNESS ASSY., CONTROL WIRE
0.3	RECEPTACLE(ADD 0.1 FOR EACH.)
0.3	SOCKET
0.3	PACKING, RECEPTACLE
0.7	PANEL COMP., CONTROL
0.7	MARK, CONTROL PANEL
0.2	SWITCH COMP., AUTO-THROTTLE
0.3	FILTER, SUB NOISE

Ref	Partnumber	Description	EU20I	Serial Numbers
001	17533-Z07-000	RUBBER B, TANK MOUNTING	2	
002	30400-Z07-003	SPARK UNIT	1	
003	31310-Z07-C62	INVERTER UNIT	1	
005	31460-ZT3-C01	CONSENT COMP., D.C.	1	
006	32137-Z07-000	COVER, COUPLER	1	
007	32139-Z07-C00	SOCKET, COMPOSITE	2	
008	32150-Z07-C60	HARNESS ASSY., CONTROL WIRE	1	
009	32331-ZA8-650	RECEPTACLE (10-16A/250V)	2	
011	32335-875-610	PACKING, RECEPTACLE	2	
012	32345-Z07-C60	PANEL COMP., CONTROL	1	
013	32366-Z07-C60	MARK, CONTROL PANEL	1	
014	36214-ZS9-A00	SWITCH COMP., AUTO-THROTTLE	1	
015	38398-Z07-C60	SUPPORTER, FILTER	1	

<u>Ref</u>	<u>Partnumber</u>	<u>Description</u>	<u>EU20I</u>	<u>Serial Numbers</u>
016	38399-Z07-C61	FILTER, SUB NOISE (AC)	1	
017	90019-883-000	BOLT, FLANGE, 5X10	1	
018	90101-P4V-010	BOLT, FLANGE, 5X12	3	
019	90108-MN0-000	SCREW, PAN, 5X13	1	
020	90581-342-000	WASHER, 20MM	3	
021	90676-692-000	BAND, 100MM (BLACK)	1	
022	93500-050083J	SCREW, PAN, 5X8	1	
023	93500-050163J	SCREW, PAN, 5X16	1	
024	93600-040120G	SCREW, FLAT, 4X12	8	
026	93913-25480	SCREW, TAPPING, 5X16 (PO)	4	
027	94050-04000	NUT, FLANGE, 4MM	8	
028	94101-05000	WASHER, PLAIN, 5MM	1	
029	94111-05000	WASHER, SPRING, 5MM	1	
030	06320-ZT3-306	RECEPTACLE SET (10/16A-250V)	(2)	

EU20I(F)	F-9 RECOIL STARTER
----------	--------------------

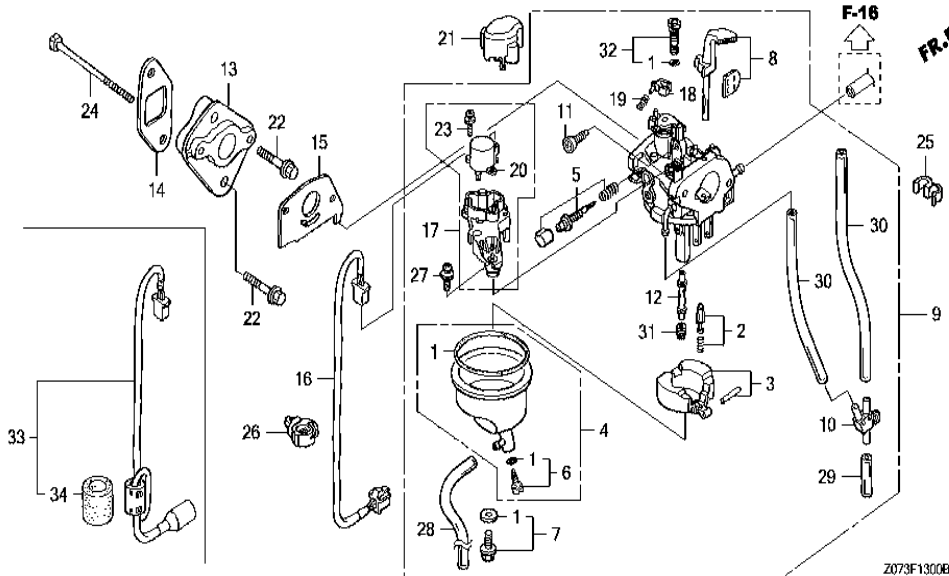


FRT	Description
0.7	STARTER ASSY., RECOIL
0.7	PULLEY, STARTER
0.1	GRIP, STARTER
0.9	ROPE, STARTER
0.1	GUIDE, STARTER ROPE

Z073-10900A

Ref	Partnumber	Description	EU20I	Serial Numbers
001	28400-Z07-004	STARTER ASSY., RECOIL	1	
002	28451-Z07-004	PULLEY, STARTER	1	
003	28461-Z07-004	GRIP, STARTER	1	
004	28462-Z07-004	ROPE, STARTER	1	
005	28464-Z07-004	COVER, GRIP	1	
006	28469-ZE2-W01	GRIP, REINFORCEMENT	1	
007	28475-Z07-004	GUIDE, STARTER ROPE	1	
008	90022-888-010	BOLT, FLANGE, 6X20 (CT200)	3	
009	90401-ZA0-000	WASHER, PLAIN, 6.5X15	3	
010	90652-SA5-670	GROMMET, SCREW, 6MM	1	
011	93913-15480	SCREW, TAPPING, 5X16 (PO)	1	
012	95701-0601208	BOLT, FLANGE, 6X12	2	
013	91552-Z07-000	COLLAR, RECOIL STARTER	3	

EU20I(F)	F-13 CARBURETOR
----------	-----------------

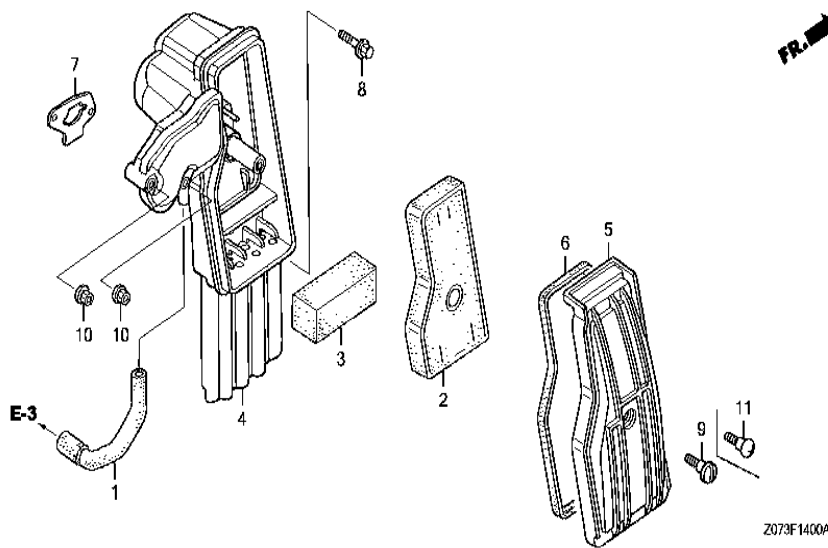


FRT	Description
0.3	GASKET SET
0.4	VALVE SET, FLOAT
0.4	FLOAT SET
0.2	SCREW SET, PILOT
0.3	CARBURETOR ASSY.
0.1	JOINT, AIR VENT TUBE
0.3	INSULATOR, CARBURETOR
0.3	PACKING, INSULATOR
0.3	PACKING, CARBURETOR
0.2	CORD ASSY., SUB
0.3	MOTOR ASSY., THROTTLE CONTROL
0.3	LEVER, LINK
0.3	SPRING, COMPRESSION COIL
0.3	MOTOR COMP., THROTTLE CONTROL
0.4	JET, MAIN,

Ref	Partnumber	Description	EU20I	Serial Numbers
001	16010-ZM7-D01	GASKET SET	1	
002	16011-ZE0-005	VALVE SET, FLOAT	1	
003	16013-ZG0-811	FLOAT SET	1	
004	16015-ZM7-003	CHAMBER SET, FLOAT	1	
005	16016-ZH7-W01	SCREW SET, PILOT	1	
006	16024-ZB9-005	SCREW SET, DRAIN	1	
007	16028-ZG0-811	SCREW SET	1	
008	16044-ZM7-D01	CHOKE SET	1	
009	16100-Z0D-D02	CARBURETOR ASSY. (BF30E C)	1	
010	16112-ZM7-D01	JOINT, AIR VENT TUBE	1	
011	16124-ZE0-005	SCREW, THROTTLE STOP	1	
012	16166-Z0D-D01	NOZZLE, MAIN	1	
013	16211-Z0D-D01	INSULATOR, CARBURETOR	1	

<u>Ref</u>	<u>Partnumber</u>	<u>Description</u>	<u>EU20I</u>	<u>Serial Numbers</u>
014	16212-Z0D-D00	PACKING, INSULATOR	1	
015	16221-ZG0-801	PACKING, CARBURETOR	1	
016	32196-Z07-C00	CORD ASSY., SUB	1	
017	36160-ZM7-D01	MOTOR ASSY., THROTTLE CONTROL	1	
018	36161-ZL0-D31	LEVER, LINK	1	
019	36162-ZL0-D31	SPRING, COMPRESSION COIL	1	
020	36165-ZL0-D31	MOTOR COMP., THROTTLE CONTROL	1	
021	36168-ZT3-C01	COVER, THROTTLE MOTOR	1	
022	90004-GHB-670	BOLT, FLANGE, 6X25 (NSHF)	2	
023	90003-ZL0-D30	SCREW-WASHER, 3X8	2	
024	90010-Z0D-D00	BOLT, HEX., 5X95	2	
025	90601-Z0D-D00	CLAMP, TUBE (7X8)	1	
026	90683-SA0-003	CLIP, WIRE HARNESS, 25MM	1	
027	93893-0401018	SCREW-WASHER, 4X10	2	
028	95003-0502431	TUBE, VINYL, 3.5X6.5X240(95003-05001-60M)	1	
029	95003-0700331	TUBE, VINYL, 4X7X30(95003-07001-60M)	1	
030	95003-0702331	TUBE, VINYL, 4X7X230(95003-07001-60M)	2	
031	99101-ZG00580	JET, MAIN, #58	(1)	
031	99101-ZG00600	JET, MAIN, #60	(1)	
031	99101-ZG00620	JET, MAIN, #62	1	
032	99204-ZE00350	JET SET, PILOT, #35	1	

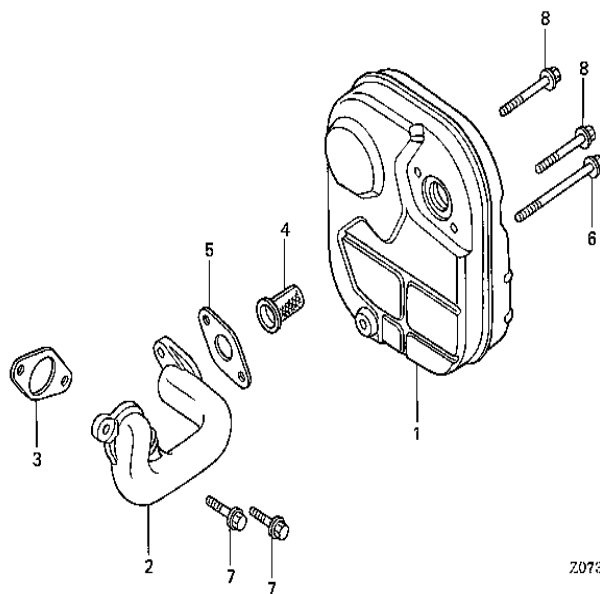
EU20I(F)	F-14 AIR CLEANER
----------	------------------



FRT	Description
0.1	TUBE, BREATHER
0.1	ELEMENT, AIR CLEANER
0.1	FILTER, OUTER
0.2	CASE COMP., AIR CLEANER
0.1	SEAL A, AIR CLEANER COVER
0.2	PACKING, AIR INTAKE JOINT

Ref	Partnumber	Description	EU20I	Serial Numbers
001	15721-Z07-000	TUBE, BREATHER	1	
002	17211-Z07-000	ELEMENT, AIR CLEANER	1	
003	17218-Z07-000	FILTER, OUTER	1	
004	17220-Z07-000	CASE COMP., AIR CLEANER	1	
005	17231-Z07-000	COVER, AIR CLEANER	1	
006	17233-Z07-000	SEAL A, AIR CLEANER COVER	1	
007	17274-ZT3-000	PACKING, AIR INTAKE JOINT	1	
008	90012-892-000	BOLT, FLANGE, 5X16	1	
009	90028-ZC3-000	BOLT, AIR CLEANER COVER	1	
010	94050-05080	NUT, FLANGE, 5MM	2	

EU20I(F)	F-15 MUFFLER
----------	--------------

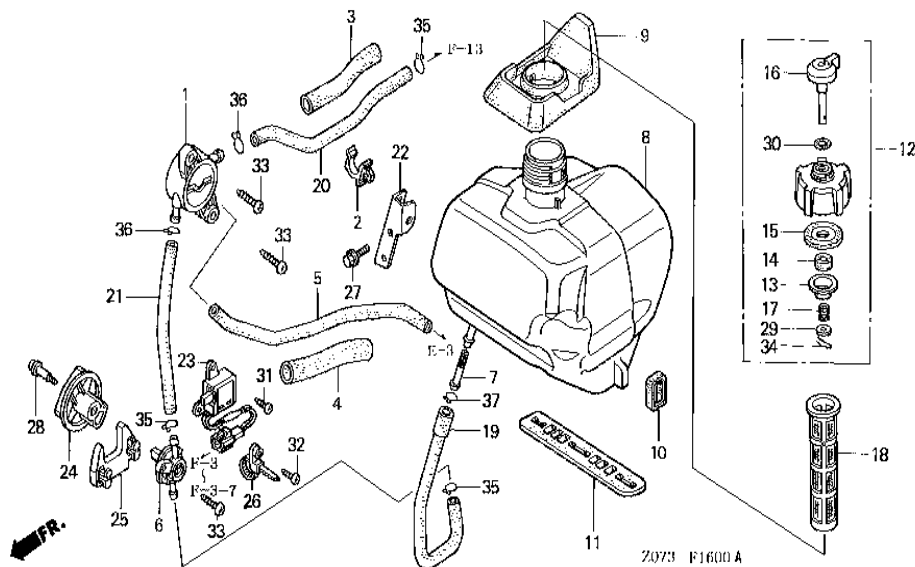


FRT	Description
0.2	MUFFLER COMP.
0.9	PIPE, EX.
0.9	GASKET, EX. PIPE
0.2	ARRESTER, SPARK
0.2	GASKET, MUFFLER

Z073 - F1500

Ref	Partnumber	Description	EU20I	Serial Numbers
001	18310-Z07-003	MUFFLER COMP.	1	
002	18331-Z07-000	PIPE, EX.	1	
003	18333-Z07-000	GASKET, EX. PIPE	1	
005	18382-ZC0-000	GASKET, MUFFLER	1	
006	90015-ZG0-801	BOLT, FLANGE, 6X65	1	
007	90018-ZE1-000	BOLT, FLANGE, 6X23 (CT200)	2	
008	95701-0604508	BOLT, FLANGE, 6X45	2	

EU20I(F)	F-16 FUEL TANK
----------	----------------



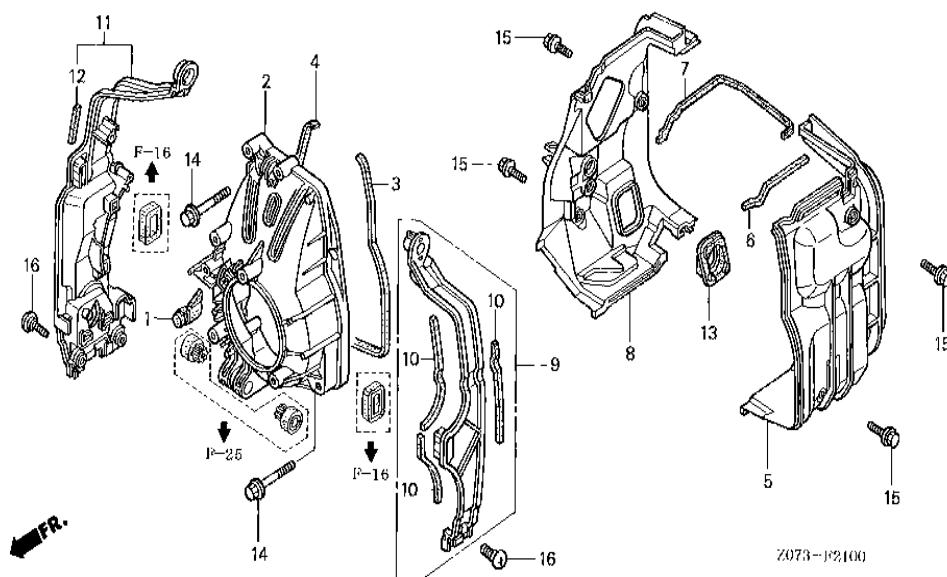
FRT	Description
0.6	PUMP ASSY., FUEL
0.2	TUBE, DIAPHRAGM
0.4	COCK ASSY., FUEL
0.6	STRAINER, FUEL
0.6	TANK, FUEL
0.4	SEAL, FUEL FILLER NECK
0.5	RUBBER A, TANK MOUNTING
0.5	RUBBER B, TANK MOUNTING
0.1	VALVE, BREATHER (INC. RELATIVE PART)
0.1	FILTER COMP., FUEL
0.5	TUBE, FUEL TANK
0.2	TUBE A, FUEL
0.5	TUBE B, FUEL
0.4	SWITCH ASSY., ENGINE STOP
0.6	KNOB, ENGINE SWITCH
0.6	PLATE, ENGINE SWITCH

Ref	Partnumber	Description	EU20I	Serial Numbers
001	16700-ZT3-003	PUMP ASSY., FUEL	1	
002	16731-ZE2-003	CLIP, TUBE	2	
003	16854-Z07-000	RUBBER A, SUPPORTER	1	
004	16857-ZT3-000	RUBBER B, SUPPORTER	1	
005	16882-Z07-000	TUBE, DIAPHRAGM	1	
006	16950-ZT3-003	COCK ASSY., FUEL	1	
007	16952-ZA8-800	STRAINER, FUEL	1	
008	17511-Z07-000	TANK, FUEL	1	
009	17514-Z07-000	SEAL, FUEL FILLER NECK	1	
010	17532-Z07-000	RUBBER A, TANK MOUNTING	2	
012	17620-ZT3-010	CAP ASSY., FUEL TANK	1	
013	17622-ZC3-000	INNER, FUEL CAP	1	
014	17623-ZV0-000	SPONGE, FUEL CAP BREATHER	1	

<u>Ref</u>	<u>Partnumber</u>	<u>Description</u>	<u>EU20I</u>	<u>Serial Numbers</u>
015	17625-ZV0-000	PACKING, FUEL CAP	1	
016	17626-ZC3-020	VALVE, BREATHER	1	
017	17629-ZV0-000	SPRING, FUEL CAP	1	
018	17670-Z07-000	FILTER COMP., FUEL	1	
019	17701-Z07-000	TUBE, FUEL TANK	1	
020	17702-Z07-000	TUBE A, FUEL	1	
021	17703-Z07-000	TUBE B, FUEL	1	
022	17718-Z07-000	BRACKET, FUEL TUBE	1	
023	35120-ZT3-003	SWITCH ASSY., ENGINE STOP	1	
024	35123-Z07-000	KNOB, ENGINE SWITCH	1	
025	35127-Z07-000	PLATE, ENGINE SWITCH	1	
026	36135-ZA8-801	BAND, HARNESS	1	
027	90013-883-000	BOLT, FLANGE, 6X12 (CT200)	1	
028	90141-ML7-000	SCREW, PAN, 4X19	1	
029	90539-836-000	WASHER, 6MM	1	
030	91362-ZC3-000	O-RING, 13.8X2.4	1	
031	93901-12320	SCREW, TAPPING, 3X12	1	
032	93901-12420	SCREW, TAPPING, 3X16	1	
033	93913-25520	SCREW, TAPPING, 5X20 (PO)	3	
034	94251-06000	PIN, LOCK, 6MM	1	
035	95002-02080	CLIP, TUBE (B8)	3	
036	95002-02100	CLIP, TUBE (B10)	2	
037	95002-70000	CLIP, TUBE (C11)	1	

EU20I(F)

F-21 FAN COVER/SHROUD

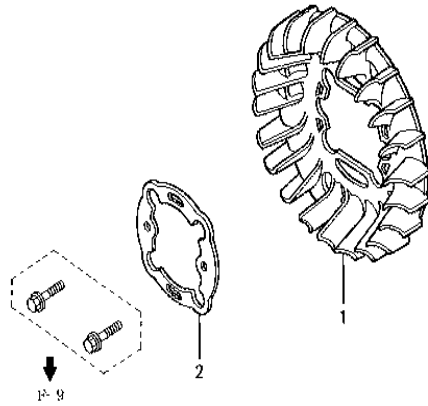


FRT	Description
1.0	COVER, FAN
1.0	SEAL, FAN COVER
1.0	SEAL, FAN COVER
1.1	SHROUD
0.8	SEAL, SHROUD UPPER
0.8	SEAL, SHROUD UPPER
1.1	SHROUD
0.6	FRAME ASSY., FR.
0.6	SEAL, FR. FRAME
0.8	FRAME ASSY., FR.
0.6	SEAL, FR. FRAME

Ref	Partnumber	Description	EU20I	Serial Numbers
001	17534-Z07-000	RUBBER, TANK PROTECTOR	1	
002	19611-Z07-405	COVER, FAN	1	
003	19613-Z07-000	SEAL, FAN COVER	1	
004	19614-Z07-000	SEAL, FAN COVER	1	
005	19632-Z07-000	SHROUD	1	
006	19636-Z07-000	SEAL, SHROUD UPPER	1	
007	19637-Z07-000	SEAL, SHROUD UPPER	1	
008	19641-Z07-000	SHROUD	1	
009	50110-Z07-000	FRAME ASSY., FR.	1	
010	50112-Z07-000	SEAL, FR. FRAME	3	
011	50120-Z07-000	FRAME ASSY., FR.	1	
012	50122-Z07-000	SEAL, FR. FRAME	2	
013	63713-Z07-000	RUBBER, OIL CHECK	1	

<u>Ref</u>	<u>Partnumber</u>	<u>Description</u>	<u>EU20I</u>	<u>Serial Numbers</u>
014	90016-ZE8-000	BOLT, FLANGE, 6X45 (CT200)	3	
015	90018-ZE1-000	BOLT, FLANGE, 6X23 (CT200)	4	
016	90380-GM9-740	SCREW, SPECIAL, 6X15	3	

EU20I(F)	F-21-10 COOLING FAN
----------	---------------------



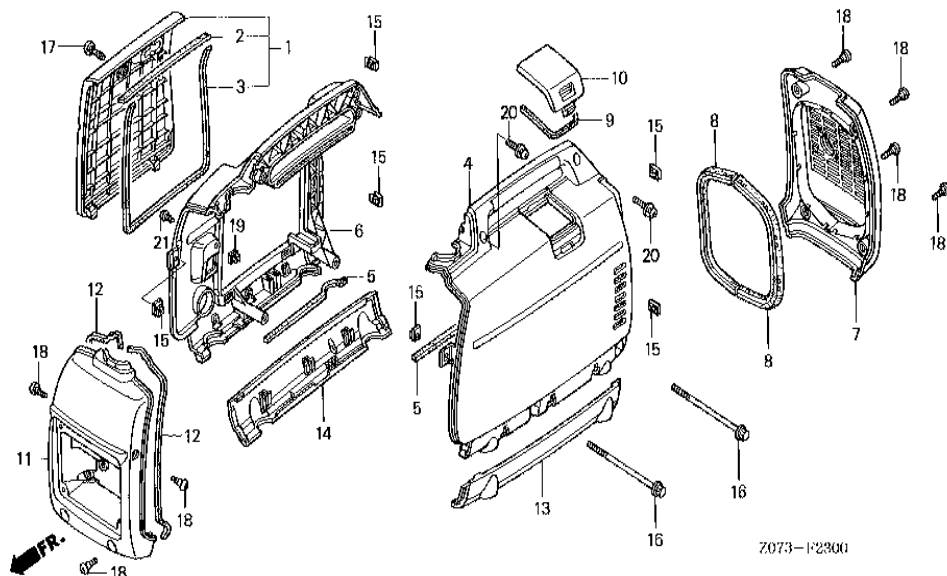
FRT	Description
0.9	FAN, COOLING
0.9	PLATE, COOLING FAN SETTING



Z073-F2110

Ref	Partnumber	Description	EU20I	Serial Numbers
001	19511-Z07-000	FAN, COOLING	1	
002	19513-Z07-000	PLATE, COOLING FAN SETTING	1	

EU20I(F)	F-23 FRONT COVER/SIDE COVER/REAR COVER
----------	--

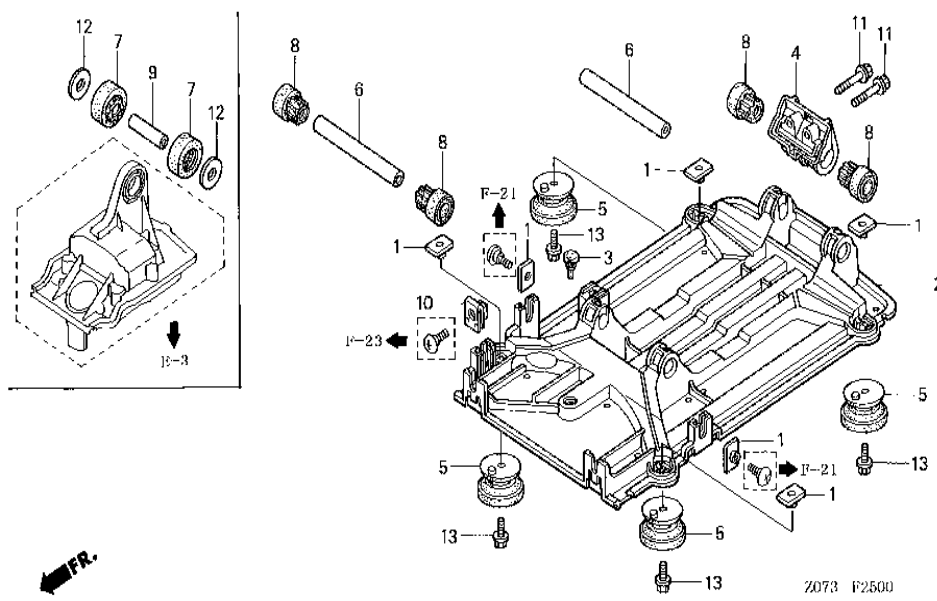


FRT	Description
0.1	COVER ASSY., MAINTENANCE
0.1	SEAL A, MAINTENANCE COVER
0.1	SEAL B, MAINTENANCE COVER
0.7	COVER COMP., SIDE
0.6	SEAL A, SIDE COVER
0.6	COVER COMP., SIDE
0.1	COVER, RR.
0.1	RUBBER, RR. COVER SEAL
0.1	SEAL, PLUG CHECK
0.6	COVER, FR.
0.6	SEAL, FR. COVER
0.2	PLATE, SIDE UNDER
0.2	PLATE, SIDE UNDER

Ref	Partnumber	Description	EU20I	Serial Numbers
001	63150-Z07-000ZB	COVER ASSY., MAINTENANCE *R8*	1	
002	63153-Z07-000	SEAL A, MAINTENANCE COVER	1	
003	63154-Z07-000	SEAL B, MAINTENANCE COVER	1	
004	63210-Z07-000ZB	COVER COMP., SIDE *R8*	1	
005	63218-Z07-000	SEAL A, SIDE COVER	2	
006	63220-Z07-000ZB	COVER COMP., SIDE *R8*	1	
007	63311-Z07-000ZA	COVER, RR. *NH314*	1	
008	63318-Z07-000	RUBBER, RR. COVER SEAL	2	
009	63344-Z07-000	SEAL, PLUG CHECK	1	
010	63347-Z07-000ZB	COVER, PLUG CHECK *R8*	1	
011	63511-Z07-000ZA	COVER, FR. *NH314*	1	
012	63512-Z07-000	SEAL, FR. COVER	2	
013	63724-Z07-000ZA	PLATE, SIDE UNDER *NH314*	1	

<u>Ref</u>	<u>Partnumber</u>	<u>Description</u>	<u>EU20I</u>	<u>Serial Numbers</u>
014	63729-Z07-000ZA	PLATE, SIDE UNDER *NH314*	1	
015	84601-HA7-670	NUT, FENDER SETTING	6	
016	90013-ZB3-010	BOLT, FLANGE, 6X137	2	
017	90028-ZC3-000	BOLT, AIR CLEANER COVER	1	
018	90380-GM9-740	SCREW, SPECIAL, 6X15	8	
019	90652-SA5-670	GROMMET, SCREW, 6MM	1	
020	93891-0602007	SCREW-WASHER, 6X20	2	
021	93913-15480	SCREW, TAPPING, 5X16 (PO)	1	

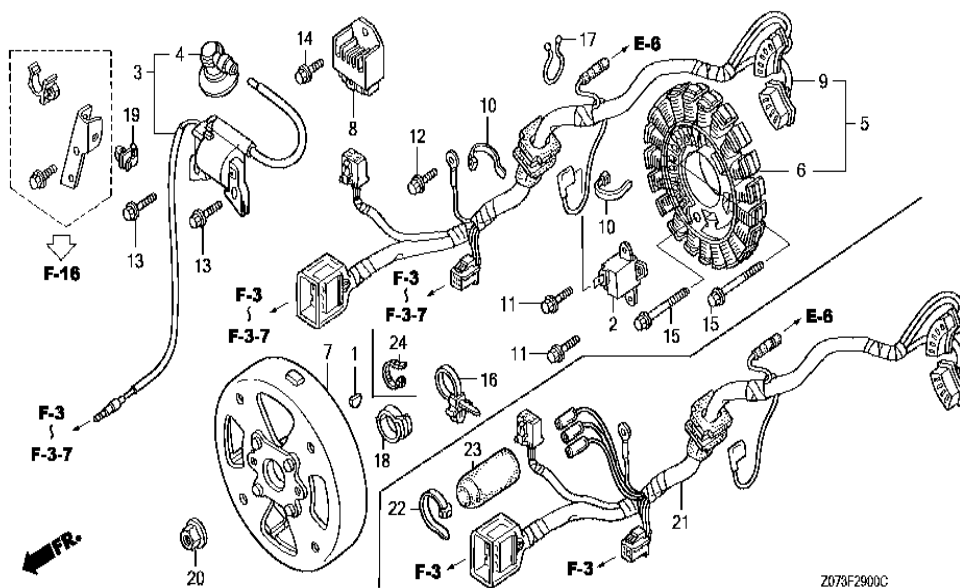
EU20I(F)	F-25 UNDER COVER
----------	------------------



FRT	Description
1.0	COVER, UNDER
0.7	BRACKET, ENGINE MOUNTING
0.1	RUBBER, BOTTOM (SAME TIME FOR TWO UNITS)
0.5	INSULATOR, UPPER(SAME TIME FOR TWO UNITS)
0.7	INSULATOR, LOWER(SAME TIME FOR TWO UNITS)

Ref	Partnumber	Description	EU20I	Serial Numbers
001	61304-HB3-003	NUT, SPECIAL, 6MM	7	
002	63711-Z07-000	COVER, UNDER	1	
003	64264-438-850	GROMMET, PAD SETTING	1	
004	68322-Z07-000	BRACKET, ENGINE MOUNTING	1	
005	68325-Z07-003	RUBBER, BOTTOM	4	
006	68333-Z07-000	COLLAR A, INSULATOR	2	
007	68335-Z07-000	INSULATOR, UPPER	2	
008	68338-Z07-000	INSULATOR, LOWER	4	
009	68339-Z07-000	COLLAR B, INSULATOR	1	
010	84601-HA7-670	NUT, FENDER SETTING	2	
011	90017-883-000	BOLT, FLANGE, 6X32	2	
012	90551-033-000	WASHER, SPROCKET SETTING	2	
013	95701-0601008	BOLT, FLANGE, 6X10	4	

EU20I(F)	F-29 ROTOR/STATOR
----------	-------------------



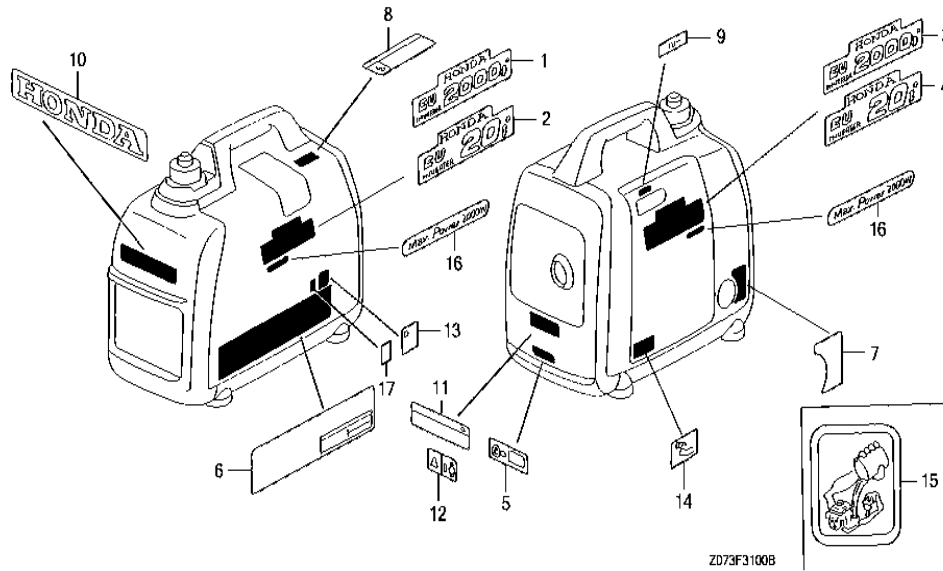
FRT	Description
1.0	GENERATOR COMP., PULSE
0.6	COIL ASSY., IGNITION
0.1	CAP ASSY., NOISE SUPPRESSOR
1.4	STATOR ASSY.
1.4	STATOR COMP.
1.2	ROTOR COMP.
0.3	RECTIFIER ASSY.
1.4	HARNESS ASSY., GENERATOR WIRE

Ref	Partnumber	Description	EU20I	Serial Numbers
001	13331-ZM7-000	KEY, SPECIAL	1	
002	30300-Z07-003	GENERATOR COMP., PULSE	1	
003	30500-Z07-003	COIL ASSY., IGNITION	1	
004	30700-ZT3-C01	CAP ASSY., NOISE SUPPRESSOR	1	
005	31120-Z07-C61	STATOR ASSY.	1	
006	31125-Z07-C61	STATOR COMP.	1	
007	31130-Z07-C01	ROTOR COMP.	1	
008	31710-ZS9-A01	RECTIFIER ASSY.	1	
009	32158-Z07-C61	HARNESS ASSY., GENERATOR WIRE	1	
010	83645-GG0-000	BAND, NYLON	2	
011	90012-ZM3-U30	BOLT, FLANGE, 5X14 (CT200)	2	
012	90019-883-000	BOLT, FLANGE, 5X10	1	
013	90022-888-010	BOLT, FLANGE, 6X20 (CT200)	2	

<u>Ref</u>	<u>Partnumber</u>	<u>Description</u>	<u>EU20I</u>	<u>Serial Numbers</u>
014	90029-888-000	BOLT, FLANGE, 6X16 (CT200)	1	
015	90101-Z07-000	BOLT, FLANGE, 5X32 (CT200)	2	
016	90676-SA8-003	BAND, WIRE HARNESS, 150MM(BLUE)	1	
017	90683-GS9-670	BAND, TUBE	1	
018	90683-KJ2-003	CLIP, WIRE HARNESS	1	
019	90683-SB3-003	CLIP, WIRE HARNESS	1	
020	94050-12080	NUT, FLANGE, 12MM	1	

EU20I(F)

F-31 LABEL

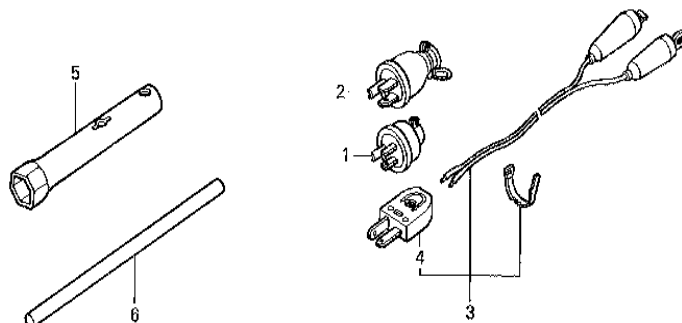


Z073F3100B

FRT	Description
-	NO INFORMATION

Ref	Partnumber	Description	EU20I	Serial Numbers
002	87101-Z07-C60	MARK, EMBLEM	1	
004	87102-Z07-C60	MARK, EMBLEM	1	
005	87135-ZE2-010	LABEL, E-SPEC (EPA STANDARD)(15.5X60.0)	1	
007	87501-Z07-C60	MARK, ENGINE SWITCH	1	
009	87528-ZT3-C00	MARK, CHOKE	1	1033897
009	87528-ZT3-C01	MARK, CHOKE	1	1033898
010	87531-Z07-000	MARK, HONDA	1	
012	87539-ZT3-C60	MARK, EX. CAUTION	1	
013	87578-Z07-C60	LABEL, NOISE LEVEL (90)	1	1024065
013	87616-YE9-760	LABEL, NOISE LEVEL (89)	1	1024066
014	87594-ZT3-000	MARK, OIL CAUTION	1	
016	87602-Z07-C60	MARK, SALES POINT (POWER)	2	

EU20I(F)	F-32 TOOL
----------	-----------

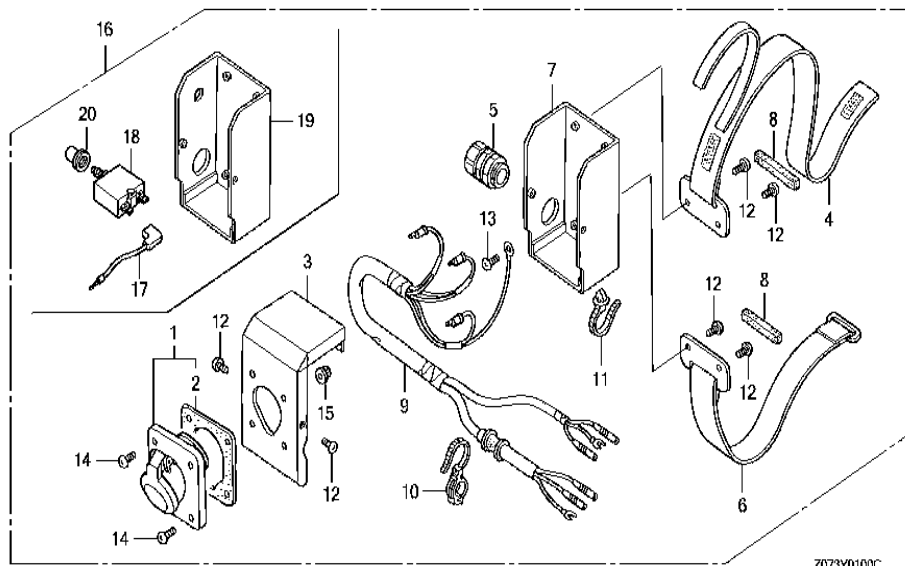


FRT	Description
-	NO INFORMATION

Z073 F3200

Ref	Partnumber	Description	EU20I	Serial Numbers
003	32650-892-003	CORD ASSY., CHARGE (2M)	(1)	
004	32651-892-003	PLUG ASSY., CONSENT	(1)	
005	89216-130-690	WRENCH, SPARK PLUG	1	
006	89219-805-000	HANDLE, BOX WRENCH	1	

EU20I(F)	FOP-1 CONSENT BOX (EU20I-B,F,G,W)
----------	-----------------------------------



FRT	Description
0.2	RECEPTACLE
0.2	PACKING, RECEPTACLE
0.3	HARNESS ASSY., CONSENT WIRE

Ref	Partnumber	Description	EU20I	Serial Numbers
001	32331-ZB3-G90	RECEPTACLE (16A/240V)	(1)	
002	32335-898-690	PACKING, RECEPTACLE	(1)	
003	32361-Z07-C61	PANEL, CONSENT	(1)	
004	32362-Z07-003	BELT COMP., CONSENT (A)	(1)	
005	32363-Z07-C61	CABLE, BUSHING	(1)	
006	32364-Z07-003	BELT COMP., CONSENT (B)	(1)	
007	32365-Z07-C01	BOX COMP., CONSENT	(1)	
008	32368-Z07-000	RUBBER, CONSENT BOX	(2)	
009	32371-Z07-C61	HARNESS ASSY., CONSENT WIRE	(1)	
010	91558-SM4-003	CLIP, TUBE (BLACK)(135MM)	(1)	
011	91567-SE0-003	BAND, WIRE HARNESS (WHITE)(93.5MM)	(1)	
012	93500-050081G	SCREW, PAN, 5X8	(6)	
013	93500-050083J	SCREW, PAN, 5X8	(1)	

<u>Ref</u>	<u>Partnumber</u>	<u>Description</u>	<u>EU20I</u>	<u>Serial Numbers</u>
014	93500-050161G	SCREW, PAN, 5X16	(4)	
015	94050-05000	NUT, FLANGE, 5MM	(4)	
016	32360-Z07-C61	BOX ASSY., CONSENT	(1)	